

COLLEZIONE Fe



"Atanor officina degli elementi" is a multi-purpose center of craftsmanship, carpentry and restoration.

Atanor presents itself as a place where the knowledge of making things linked to craftsmanship is mixed with creativity and innovation, to merge and create unique projects.

Atanor therefore becomes a school workshop aimed at creating a new entrepreneurial business in the artisan sector which enables people to get closer to this world by learning from the artisan master craftsmen within the school.

Over the years Atanor has received the contribution of many craftsmen from different fields, the amalgamating ideas have been transformed and have created the new Passo32 brand.

Passo 32 takes its name from the typical standard drilling that is applied on furniture, where every 32mm holes are made for the shelf supports and bases.

Passo 32 belongs between the mass production sector and the traditional made to measure production sector of craftsmen, a place where the culture of creating and standard constructions come together to give life to a new business.

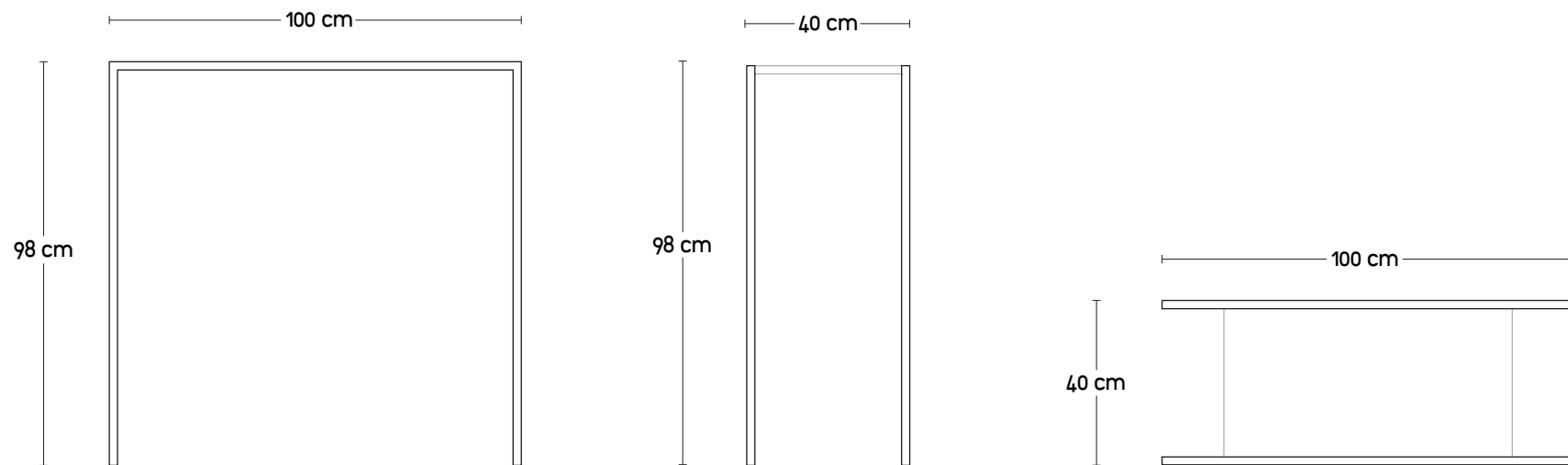
The brand's strength is the process used by the team when taking on every project, from the initial idea to the final realization.

Each item is designed and produced within the workshop combining the knowledge of creating and the knowledge of design.

The Fe range develops its distinctive features inspired by the old shapes of furniture that once furnished hospitals, but which differs entirely in that curves and circular lines have given way to straight and square lines with the intention of developing innovative products, new concepts that combine traditional materials such as wood and iron. The lightness of the wood flanked by the immensity and firmness of iron, combines to give new balanced shapes.

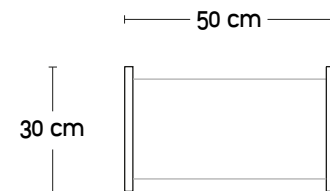
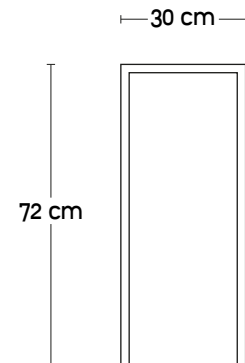
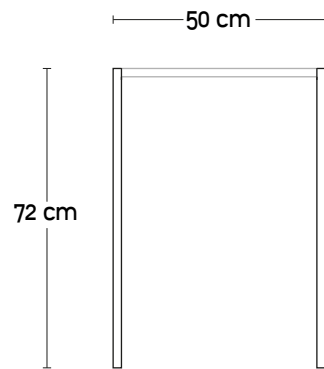
Fe.10

Entrance console with structure in brushed iron and shelf in gloss lacquered Valchromat.



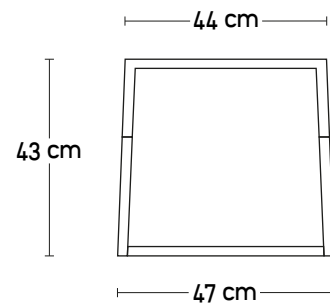
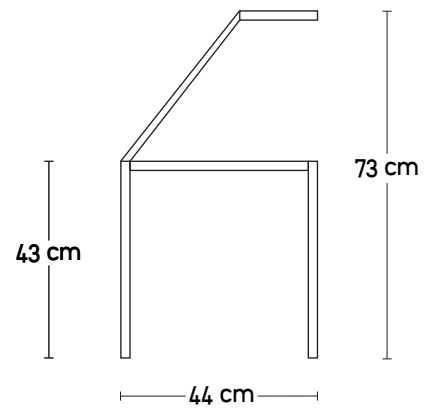
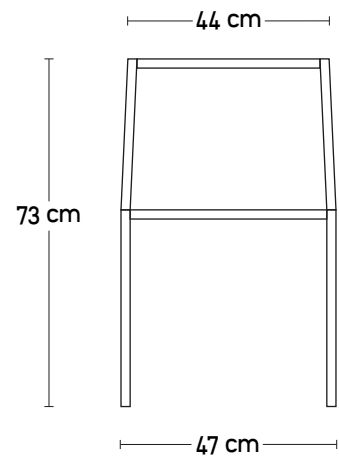
Fe.11

Entrance console with structure in brushed iron and shelf in gloss lacquered Valchromat.



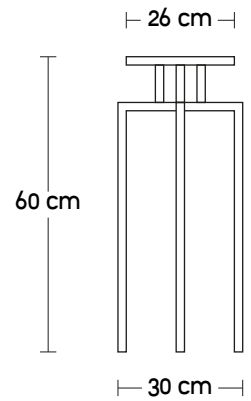
Fe.12

Chair with structure in brushed iron and seat in gloss lacquered Valchromat.



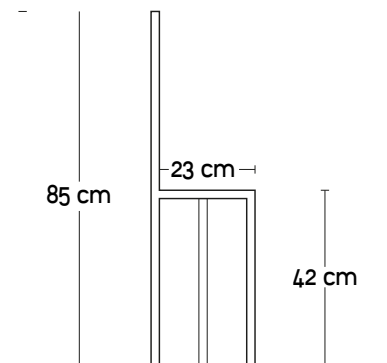
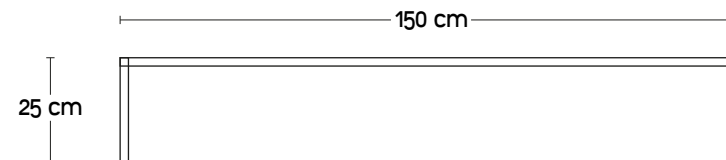
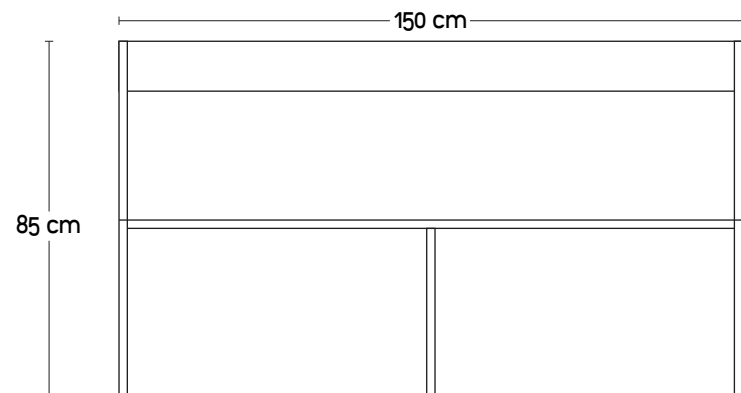
Fe.13

Stool with structure in brushed iron and seat in gloss lacquered Valchromat.



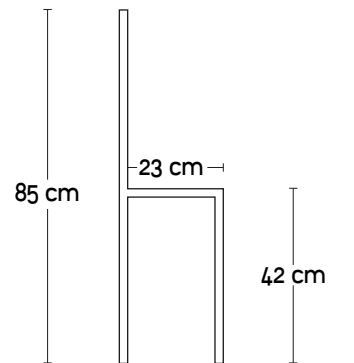
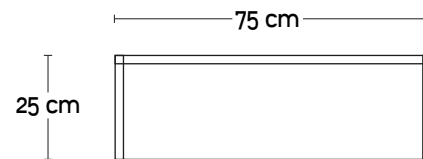
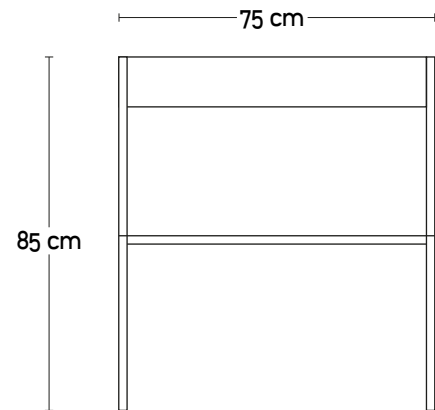
Fe.14

Long bench seat at foot of bed with brushed iron structure, seat and back in gloss lacquered Valchromat.



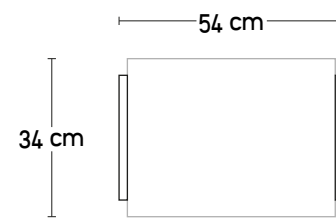
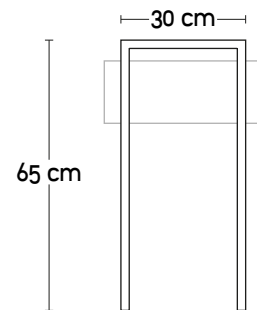
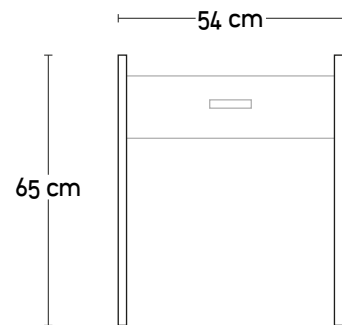
Fe.15

Bench seat at foot of bed with brushed iron structure, seat and back in gloss lacquered Valchromat or wood.



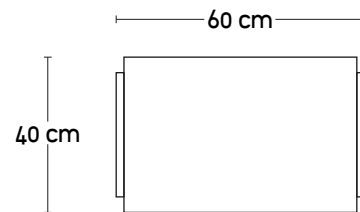
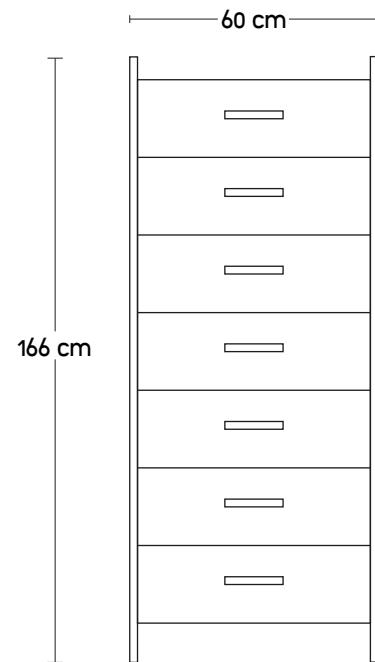
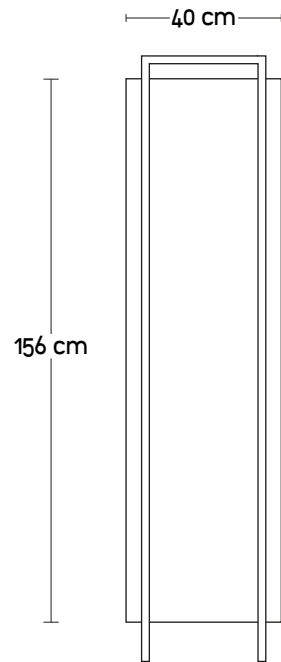
Fe.16

Bedside table with structure in brushed iron and unit in gloss lacquered Valchromat.



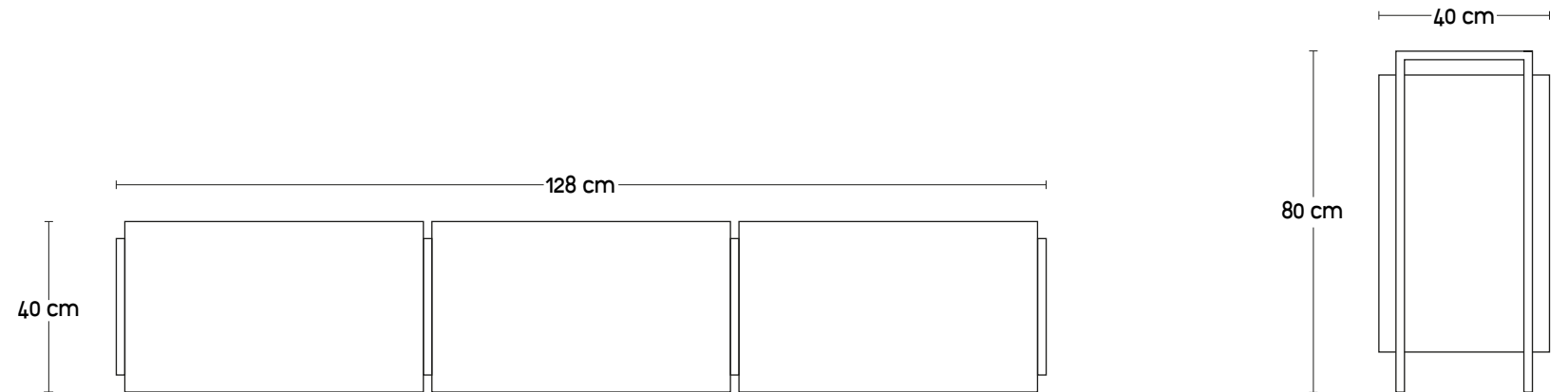
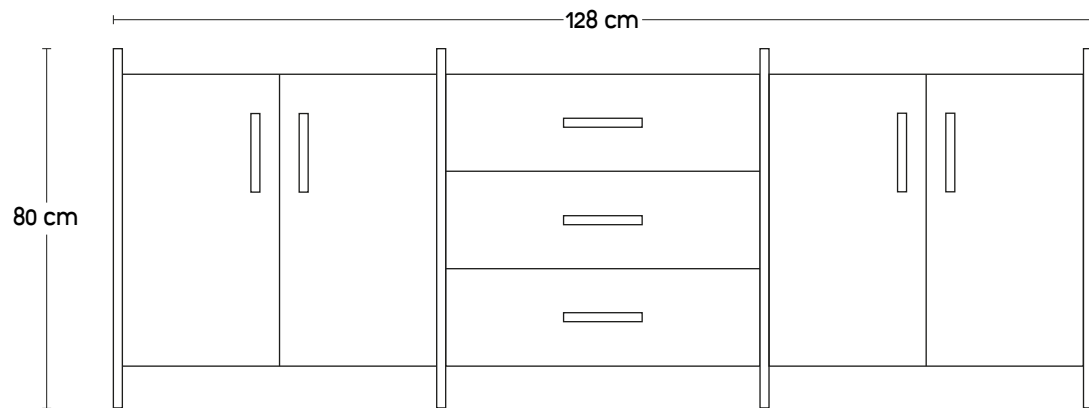
Fe.17

Chest of drawers with structure in brushed iron and unit in gloss lacquered Valchromat.



Fe.18

Chest with structure in brushed iron and unit in gloss lacquered Valchromat.
Modular components from 70cm each.



RANGE OF COLOURS



STRUCTURE IN IRON WITH A BRUSHED OR RAL LACQUERED FINISH



Via Nino Bertocchi 63/a 40133-Bologna

Tel: 051-562238 Fax: 051-5870551

Email: info@atanorofficinaelementi.com

www.atanorofficinaelementi.com

www.passo32.com

Export Manager: Mariella Lapuzza

mariella.lapuzza@egointernational.it

tel. +39 0541779507

fax +39 0541 792090