

# TECHNICAL DATA Passo32



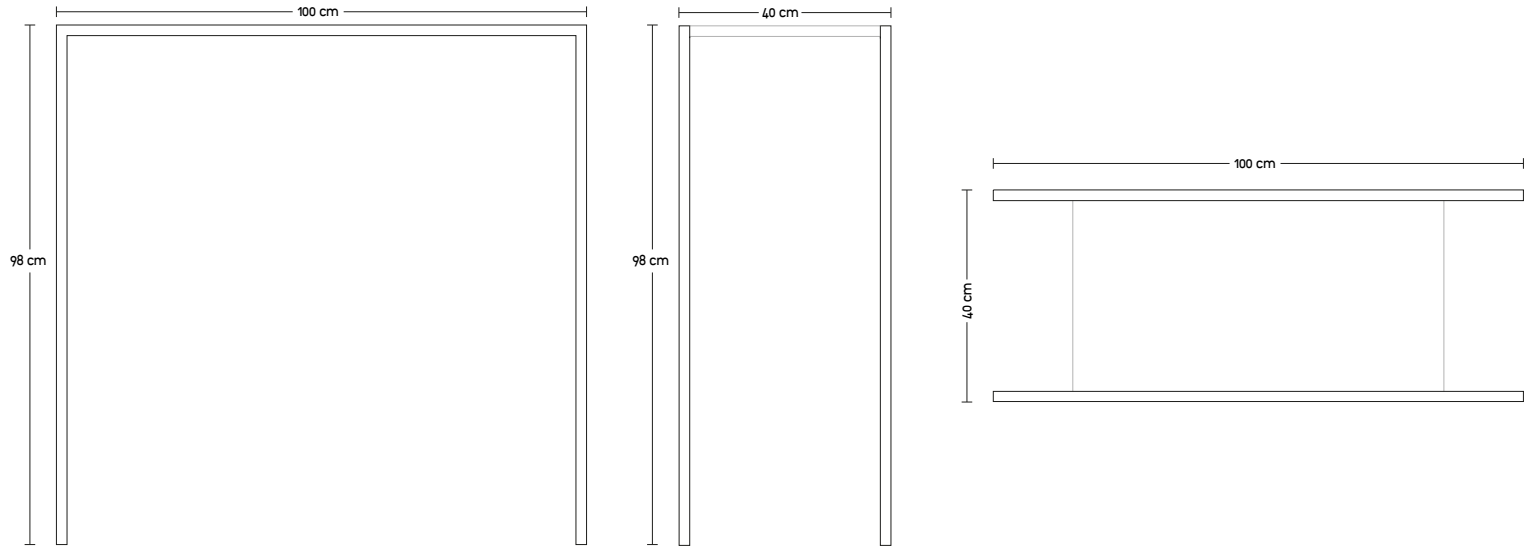
# Fe.10

## maximum dimensions

100cm X 98cm X 40cm

## technical description

-structure in brushed iron and top in gloss lacquered Valchromat



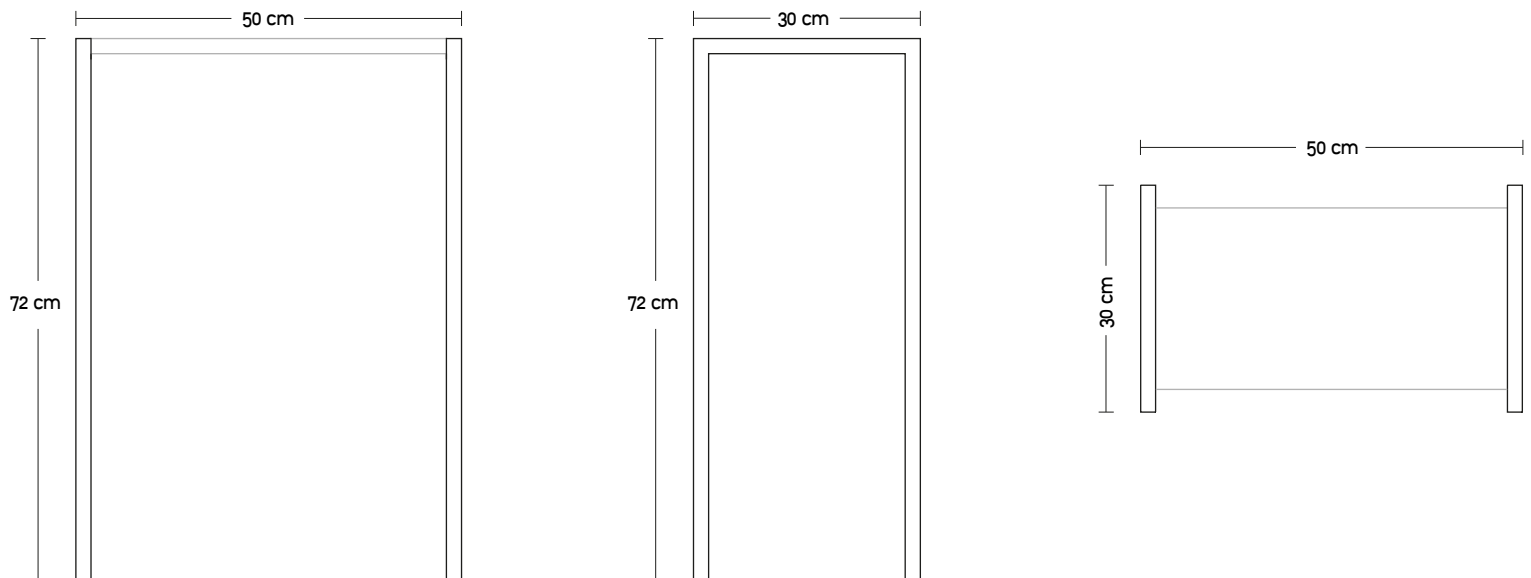
# Fe.11

## maximum dimensions

50cm X 72cm X 30cm

## technical description

-structure in brushed iron and top in gloss lacquered Valchromat



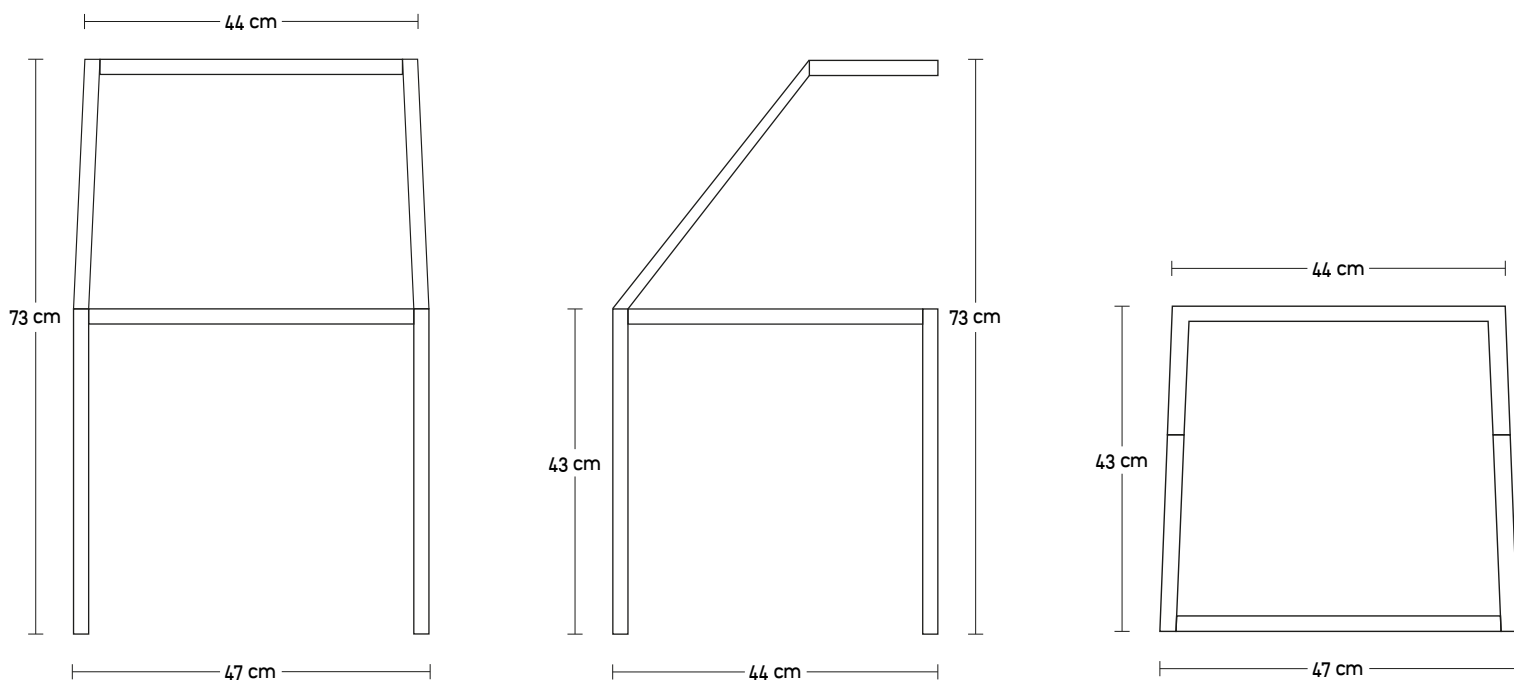
# Fe.12

## maximum dimensions

50cm X 72cm X 30cm

## technical description

- structure in brushed iron and seat in gloss lacquered Valchromat
- structure in brushed iron and seat in national walnut



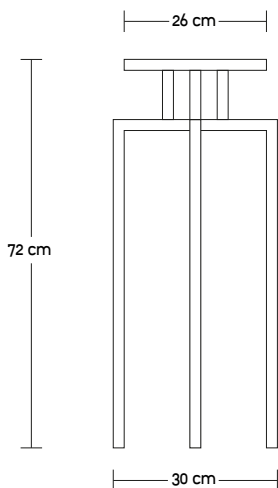
# Fe.13

## maximum dimensions

72cm X 30cm X 30cm

## technical description

- structure in brushed iron and seat in gloss lacquered Valchromat



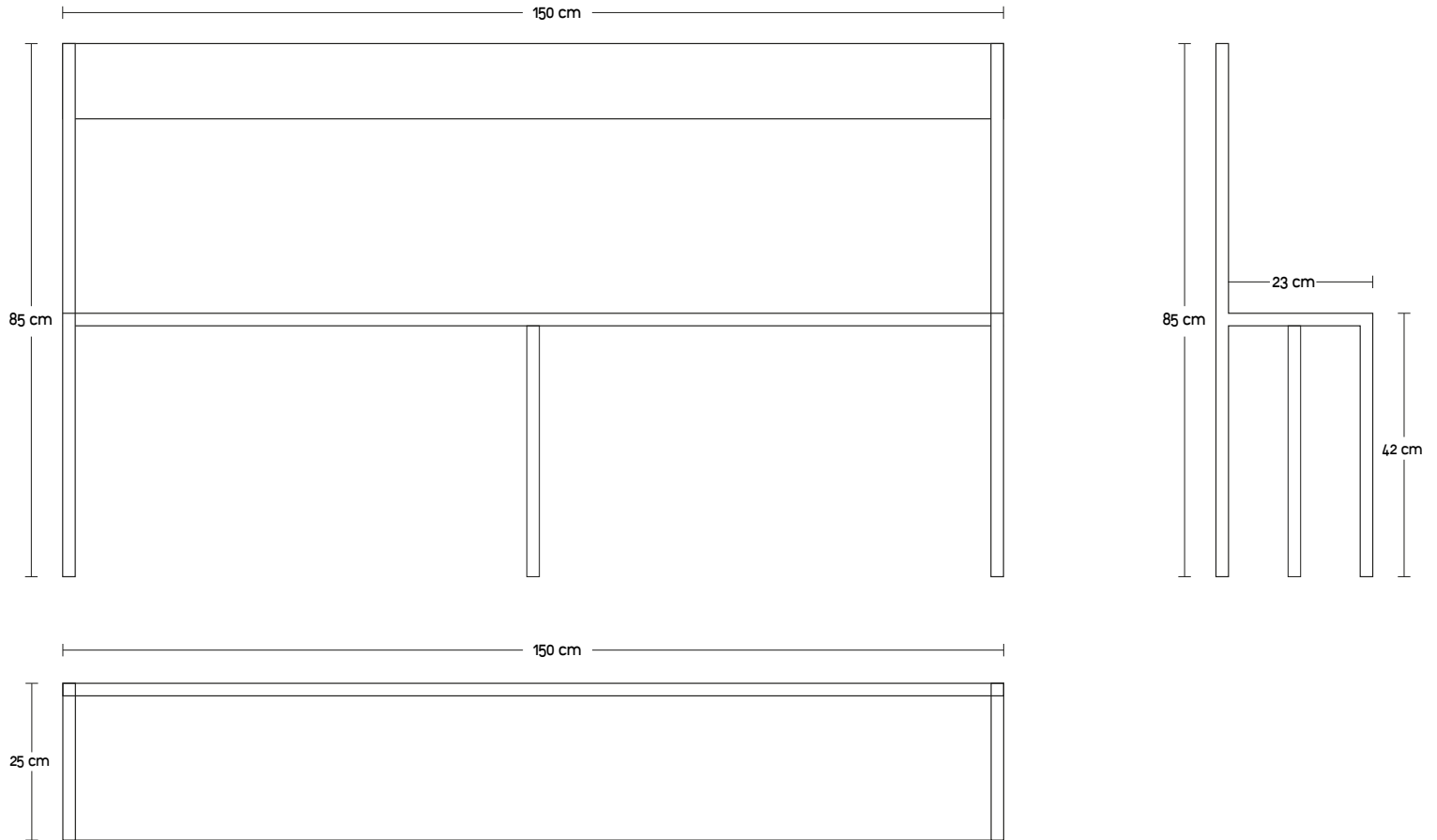
# Fe.14

## maximum dimensions

150cm X 85cm X 25cm

## technical description

- structure in brushed iron and seat in gloss lacquered Valchromat
- structure in brushed iron and seat in national walnut



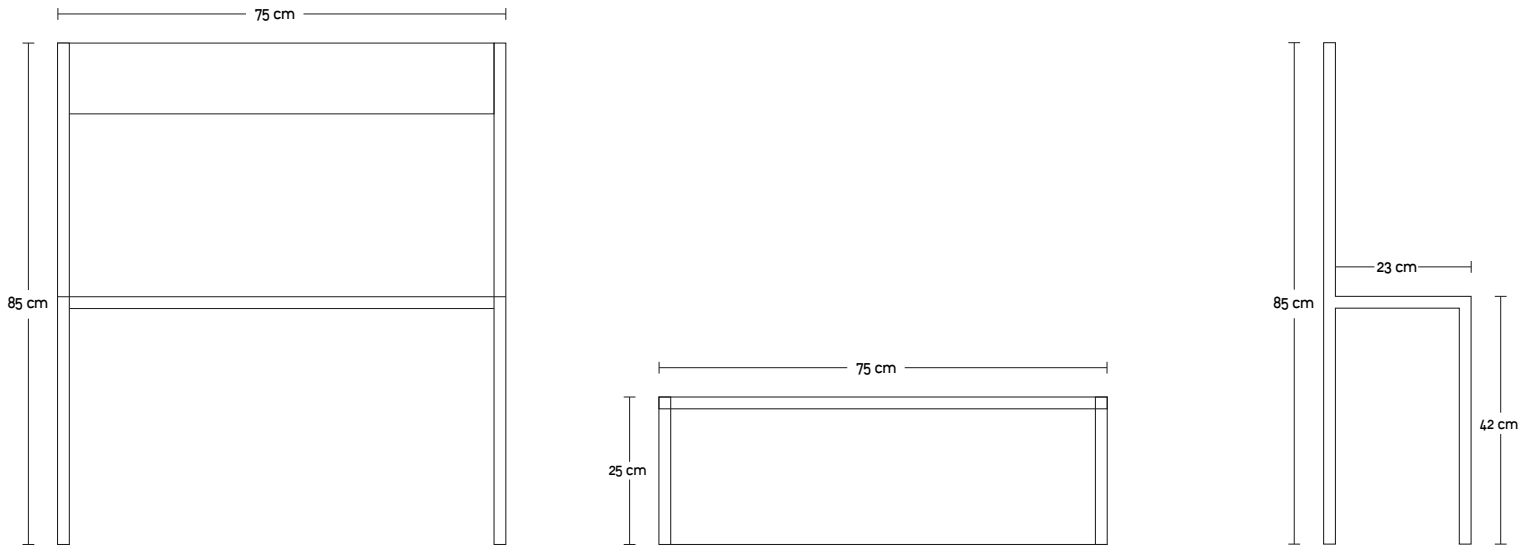
# Fe.15

## maximum dimensions

85cm X 75cm X 25cm

## technical description

- structure in brushed iron and seat in gloss lacquered Valchromat
- structure in brushed iron and seat in national walnut



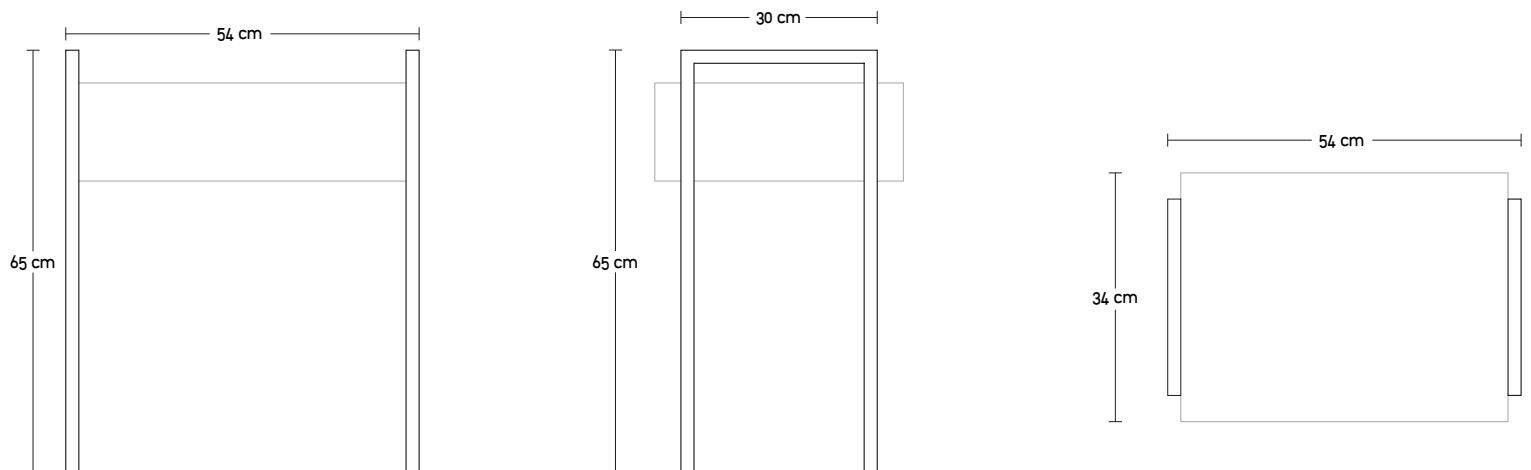
# Fe.16

## maximum dimensions

65cm X 54cm X 34cm

## technical description

- structure in brushed iron, drawer fronts in gloss lacquered Valchromat, handle stems and guides in matt lacquered Valchromat



# Fe.17

## maximum dimensions

156cm X 60cm X 40cm

## technical description

-structure in brushed iron, drawer fronts in orange gloss lacquered Valchromat, handle stems and guides in black matt lacquered Valchromat



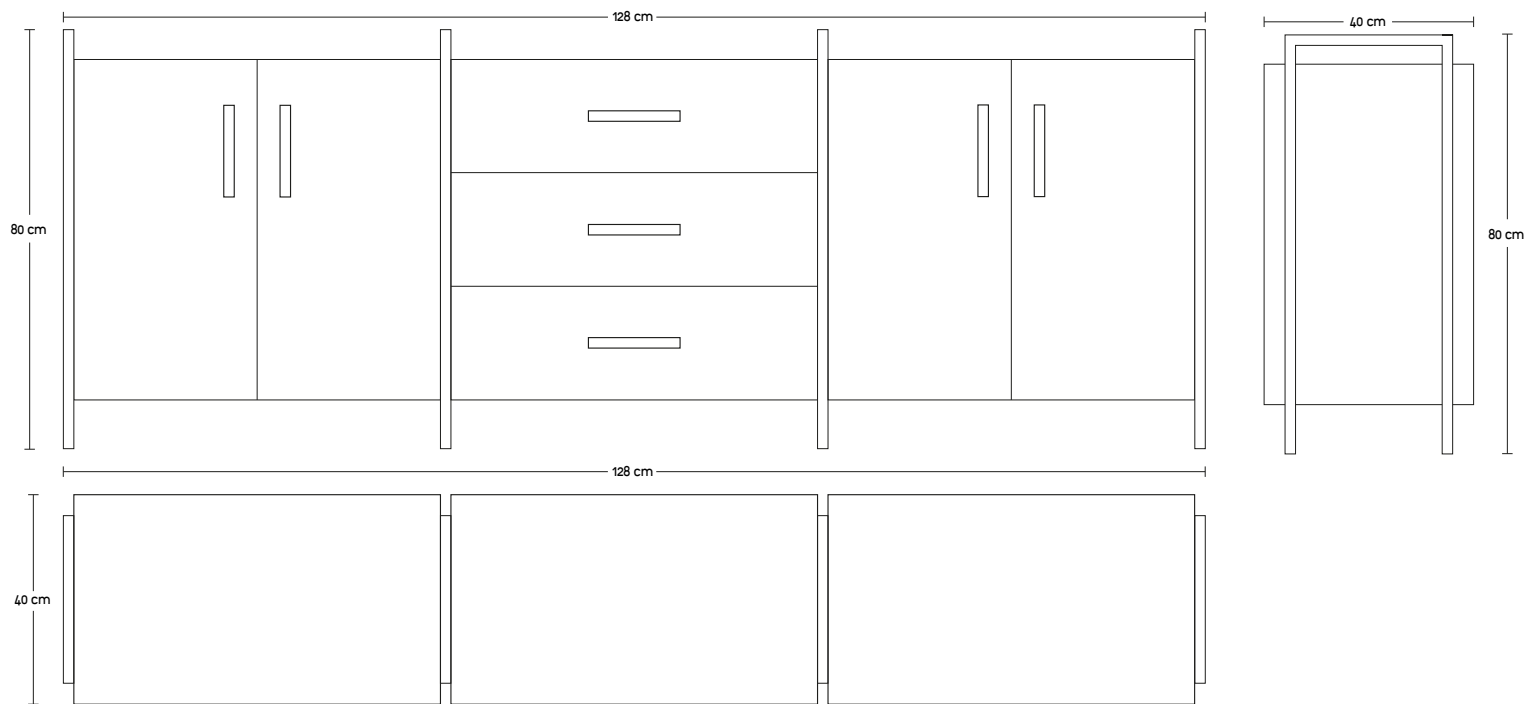
# Fe.18

## maximum dimensions

80cm X 126cm X 40cm

## technical description

-structure in brushed iron, drawer fronts in orange gloss lacquered Valchromat, handle stems and guides in black matt lacquered Valchromat



Via Nino Bertocchi 63/a 40133-Bologna  
Tel: 051-562238 Fax: 051-5870551  
Email: [info@atanorofficinaelementi.com](mailto:info@atanorofficinaelementi.com)  
[www.atanorofficinaelementi.com](http://www.atanorofficinaelementi.com)  
[www.passo32.com](http://www.passo32.com)

Export Manager: Mariella Lapuzza  
[mariella.lapuzza@egointernational.it](mailto:mariella.lapuzza@egointernational.it)  
tel. +39 0541779507  
fax +39 0541 792090